

SEAMLESS TECHNOLOGY

ELECTRONIC SEAMLESSWEAR KNITTING MACHINE

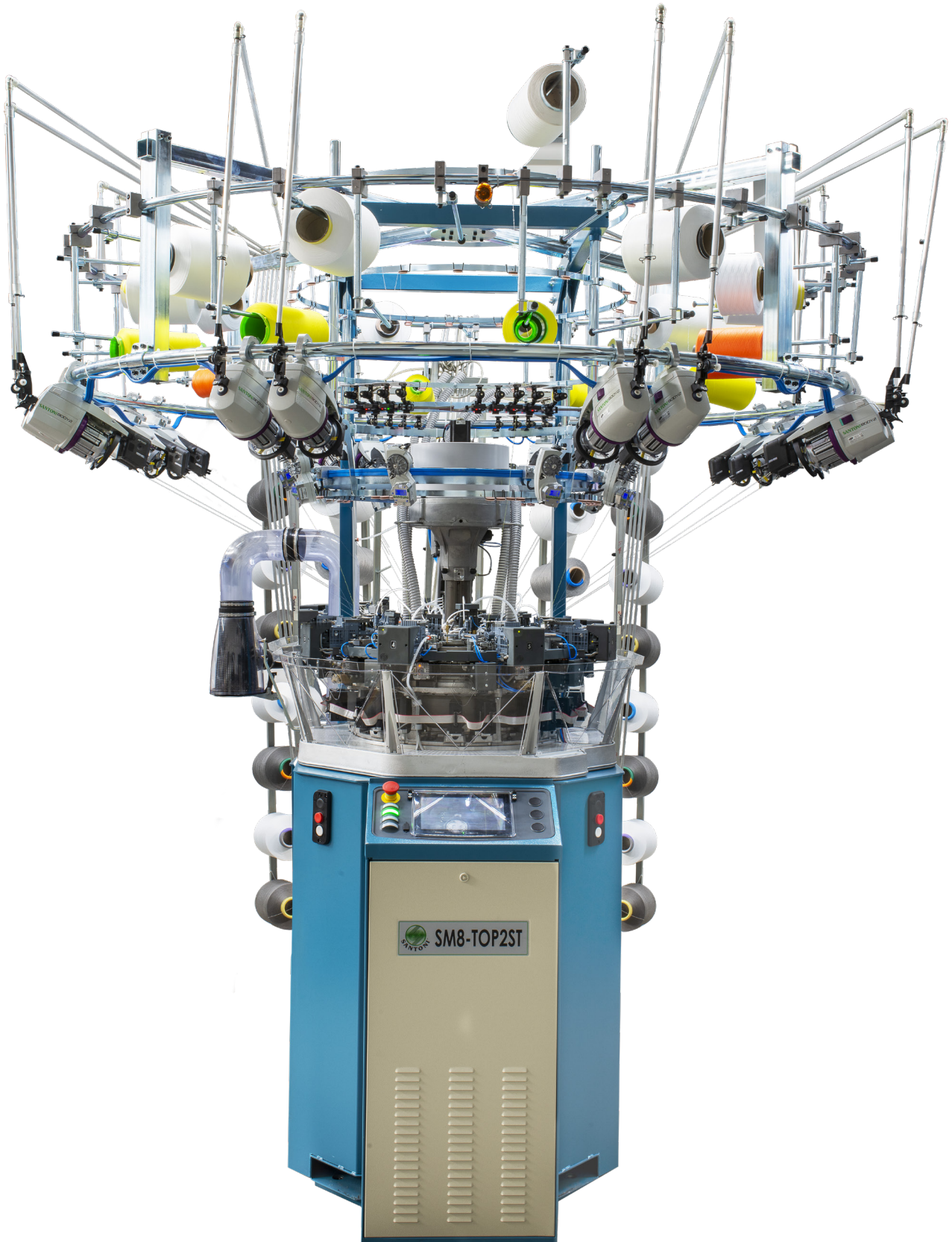
SM8-TOP2ST

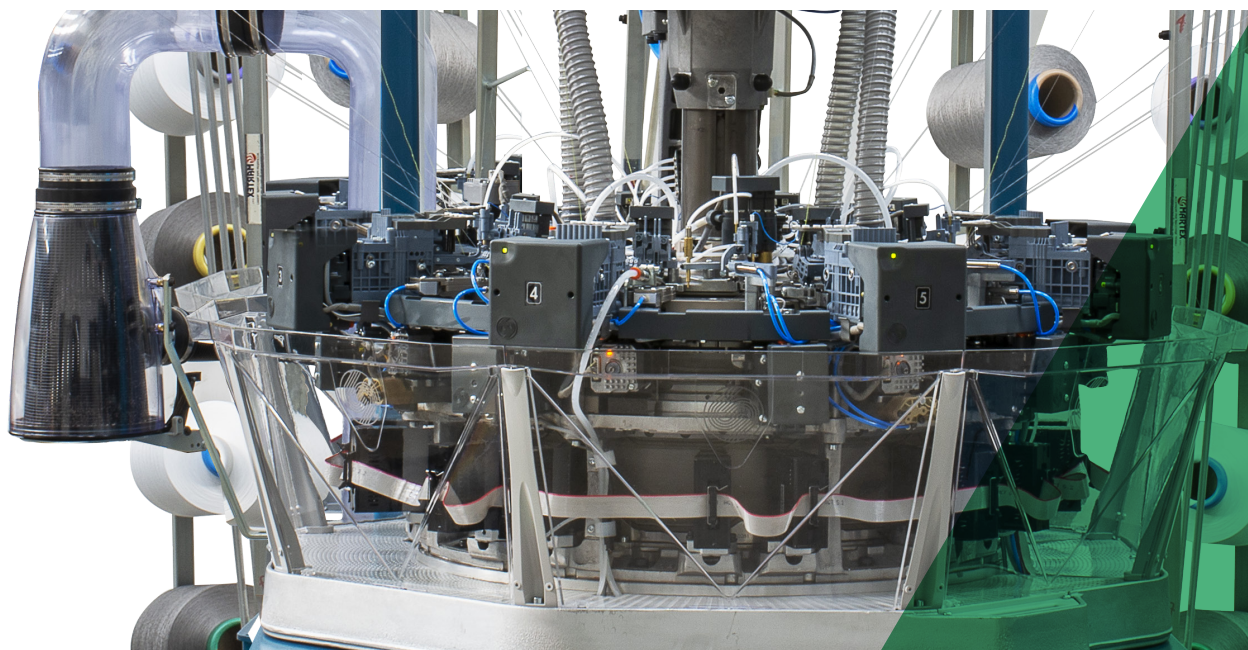
SINGLE JERSEY

(X2Q ELECTRONICS)

SEAMLESS TECHNOLOGY

SM8-TOP2ST SINGLE JERSEY





SEAMLESS TECHNOLOGY

SM8-TOP2ST SINGLE JERSEY

Single jersey electrical circular machine with 8 feeds, with 2 points of selection needle-by needle per feed, for the production of single garments in selective terry (in selection needle by needle) and standard seamless garments for underwear, outerwear, beachwear, sportswear and sanitarywear.

SEAMLESS TECHNOLOGY

SM8-TOP2ST SINGLE JERSEY

- **DIAMETERS**
13" 14" 15" 16" 17" 18" 19" 20"
- **MACHINE GAUGE**
E 24 - E26 - E28
- **NEEDLES GAUGE**
From gg 54 to gg 70.
- **NUMBER OF FEEDS**
8 for any diameter.
- **MAXIMUM SPEED**
From diameter 13" to 20" speed factor from 1430 (13" max speed 110rpm).
- **TYPE OF SELECTION**
N° 2 actuators with 16 levels on each feed.
- **STRIPPING YARNFINGERS**
N° 8 yarnfingers each feed: yarnfinger 1 and 2 at 3 positions, yarnfinger 3 at two positions, yarnfingers 4 and 5 at four positions and yarnfinger 6 at 6 positions, plus 2 colour yarnfingers at two positions (Santoni Patent).
- **TRAPPER FOR BARE AND COVERED ELASTIC YARN**
N° 3 on each feed.
- **DIAL JACKS AND YARN CUTTER**
Dial vertical movement, cutter saw release (Santoni patent), driven by step by step motor which allows the height variation of the cutter work.
- **SUCTION SYSTEM**
By 2 or 3 suction fans (according to the diameter) or by centralized system.
Take down tube Ø150mm; ejection tube Ø100mm. Air limiting valve with electronic incremental programming.
(On request: rotating tube or antitwist kit with rotating tube).
- **STITCH CAMS**
Stitch formation adjustment by step motors, independent on each feed, with possibility of loop widening, tightening and shading on the same course (Santoni patent).
- **SINKER CUP**
Sinkers cup for terry and plain stitch, as per knitting system, free from cylinder and centered on the upper plate, angularly adjustable by a step by step motor (Santoni patent).
- **MAIN KNITTING POSSIBILITIES**
Single or double welt carried on with jacks, in several selections, with knitted, floated or laid-in elastic yarn.
With 8 feeds on the same course: selective terry with floated yarn; 3 technical ways; 2 technical ways plus 1 colour on ground yarn; clear pattern, laid-in possibility on all feeds.
(On request n° 4 movable stitch cams to make 4 feeds knitting possibilities: selective terry with floated yarn plus 2 colours on ground yarn; 3 technical ways plus 2 colours on ground yarn; 3 technical ways plus selective terry and floated yarn).
- **YARN FEEDERS**
n° 10 Santoni BODYMAP (2 of which used for elastic welts) plus n° 16 feeders LGL Santoni BODYwith serial connection in can-bus enabling visualization on board display of yarn absorption.
 - Optional BTSR: Santoni ULTRAFEEDER2(+UNICO2); Santoni HYPERFEEDER; ROLLING FEEDER
 - Optional LGL: Santoni BODYMAP; Santoni BODY e/o BODY-ATTIVO
 - Optional Dinema: PLUS
 - Optional MEMMINGER: SFE
- **YARN SENSORS**
Spyder Dinema serial sensors of capacitive type.
(On request: 8 ISPY Dinema optical sensors)
- **CREEL**
24 Complete back creel.
(On request: creel with pneumatic threading or creel for cotton kit).

● LUBRICATION

Pneumatic pump with gradual dosers, oil recycle and independent management of oil between needles/sinkers and selectors.

● CYLINDER ROTATION

Brushless motor and electronic handwheel for manual control.

● ELECTRONIC CONTROLLER

New X2Q Dinema electronics with microprocessor IMX8.

● MACHINE KEYBOARD

9" color touch screen display equipped with protective casing.

● PROGRAMMING

Software iPOLARIS for a "user friendly" programming; programs can be transferred to the machine by USB, FDU4 or by net.

● CONSUMPTION

Absorbed power from 13" to a 16": fans 4,1Kw (50Hz) or 5,1Kw (60 Hz); by machine (standard configuration) 2,2Kw.

Absorbed power from 17" to 20": fans 4,4Kw (50Hz) or 5,6Kw (60 Hz); by machine (standard configuration) 2,2Kw.

Compressed air: 50 Lt/min at 6 bar.

● WEIGHT

Approx. KG. 600 / 750

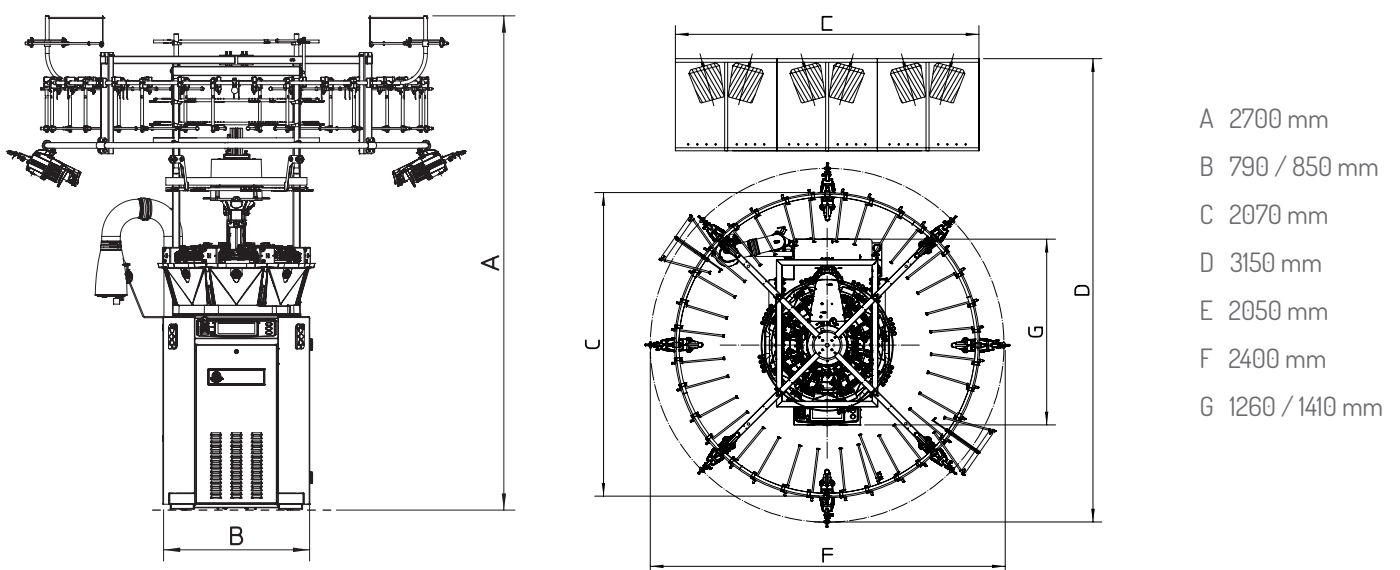
● PRODUCTION

SEAMLESS-WEAR, UNDERWEAR, OUTERWEAR, SWIMWEAR, SPORTSWEAR, SANITARY GARMENTS (possibility to use a wide range of yarns).

● NORMATIVE

The machine meets the CE normative.

TECHNICAL DRAWING AND SIZE



DISCLAIMER:

Technical data given in this brochure are for information only. Santoni S.p.A. reserves the right to modify the machine features without forewarning and without the obligation to apply any modification to the machines already installed. Pictures are exemplifying and have not to be regarded as a reference.

Santoni is recommending needles from
GROZ-BECKERT®



SANTONI SPA

Via Carlo Fenzi, 14 - 25135 Brescia - Italy
Tel. +39 030 37671 Fax +39 030 3767400
P.IVA e CF: IT 00273280172
info.santoni@santoni.com - www.santoni.com