

AUTOMATIC SEWING SYSTEMS

AUTOMATIC TOE CLOSER FOR MEDICAL
KNEE-HIGHS AND STOCKINGS

TC MEDICAL



AUTOMATIC SEWING SYSTEMS

TC MEDICAL

Automatic Toe Closer for medical knee-highs and stockings. Santoni TC Medical has been specifically designed for medical stockings toe seaming. In most cases these products involve manipulation difficulties due to their density, compression and for the presence of a reciprocated heel.

Our machine allows the automatic seaming of these products with a perfect round toe “fish-mouth”, as requested on this type of garments. The simplicity of operation facilitates the installation and the use of the machine, enhances reliability and reduces operation and maintenance costs. TC Medical allows a productivity considerably higher than manual sewing.

AUTOMATIC SEWING SYSTEMS

TC MEDICAL

Specification	Value
Air pressure	6 bar
Air consumption	200 NI/min
Absorbed power	3 Kw
Avg. Production	35 Dz/hr (pair)

Features
PLC for the electronic control of all main functions of the seaming cycle
Electronic self-diagnosis with visualized errors or malfunctions
Touch-screen display for the machine setting with possibility to store different sewing programs
Qty. 10 sewing tube
Toe shaping by means of a rotating plat

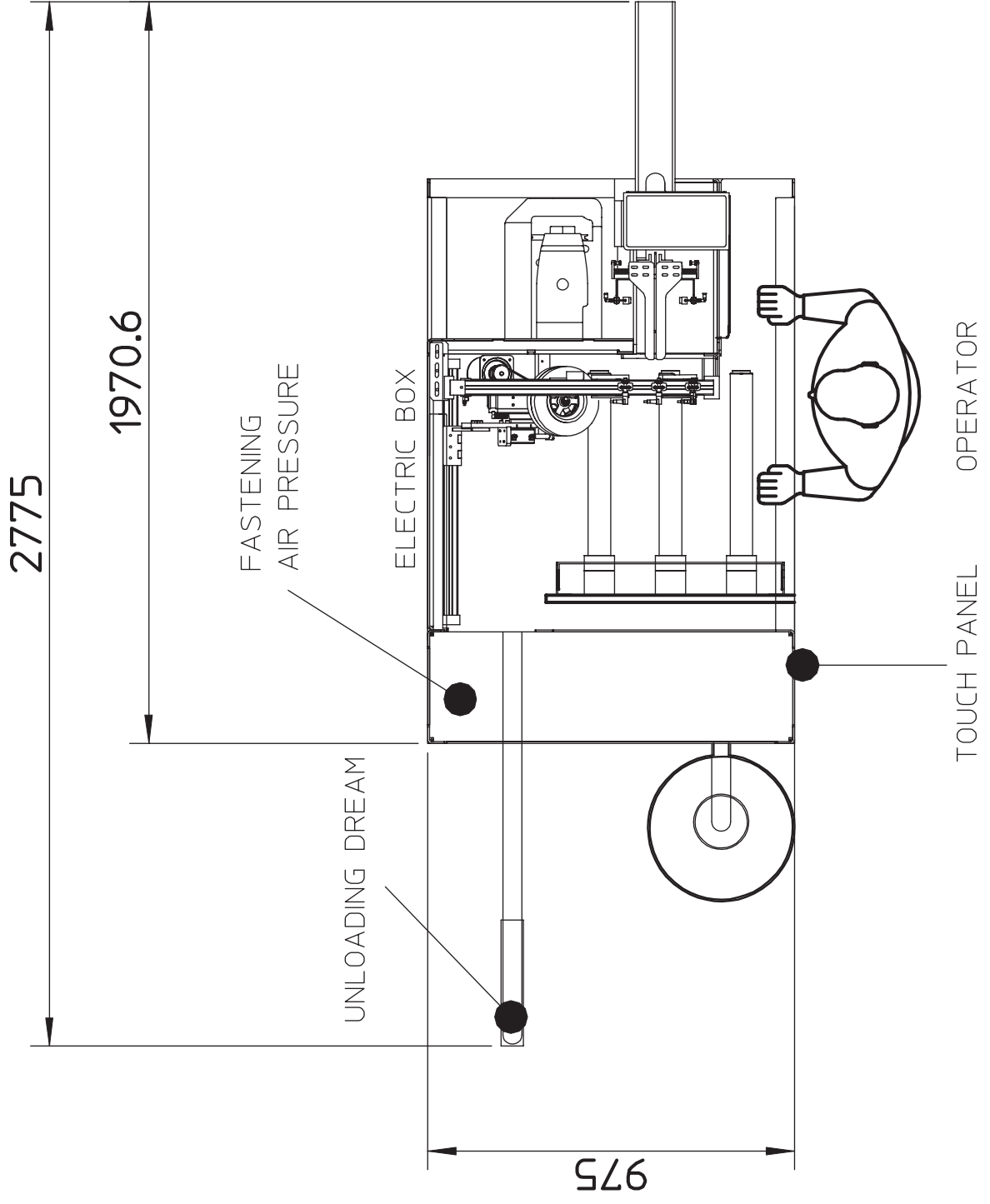
Optionals
Sewing head with twin needles
Toe positioning kit with color detector
Double unloading bag with switching valve
Heel/toe positioning kit

Applications: Underwear, Sportswear, Swimwear, Medical Textiles, Technical Textiles.

DISCLAIMER:

Technical data given in this brochure are for information only. Santoni S.p.A. reserves the right to modify the machine features without forewarning and without the obligation to apply any modification to the machines already installed. Pictures are exemplifying and have not to be regarded as a reference.

Santoni is recommending needles from
GROZ-BECKERT®





SANTONI SPA

Via Carlo Fenzi, 14 - 25135 Brescia - Italy
Tel. +39 030 37671 Fax +39 030 3767400

P.IVA e CF: IT 00273280172

info.santoni@santoni.com - www.santoni.com