

# AUTOMATIC SEWING SYSTEMS

AUTOMATIC BOARDING MACHINE FOR KNEEHIGHS AND STOCKINGS  
DIRECTLY LINKED TO THE TOE CLOSER.

P&P-SG



## AUTOMATIC SEWING SYSTEMS

### P&P-SG

Universal Pick & Place with automatic loader for knee-highs and stockings toe closer

This is a system to automatically load a toe closer to process knee-highs and stockings.

A Pick & Place robot (P&P-SG) picks up the products piled in a trough, and orientates them (welt and toe), and sends them to a device to automatically load the toe closer.

The P&P-SG can be fitted to all types of manually loaded toe closer on the market today, giving a continuous utilisation of your existing toe closers, an immediate reduction in operator costs, and of capital invested.

The completely electronic control system guarantees optimum efficiency, very high production and ease of use.

# AUTOMATIC SEWING SYSTEMS

## P&P-SG

Specification	Value
Dimensions	2.320 x 1.300 x 3.500 (h)
Air pressure	6 bar
Air consumption	200 NI/min
Absorbed power	5 Kw
Minimum cycle time	2,5 Sec.
Max. Production	60 Dz/hr (pair)
Average production	50 Dz/hr (pair)

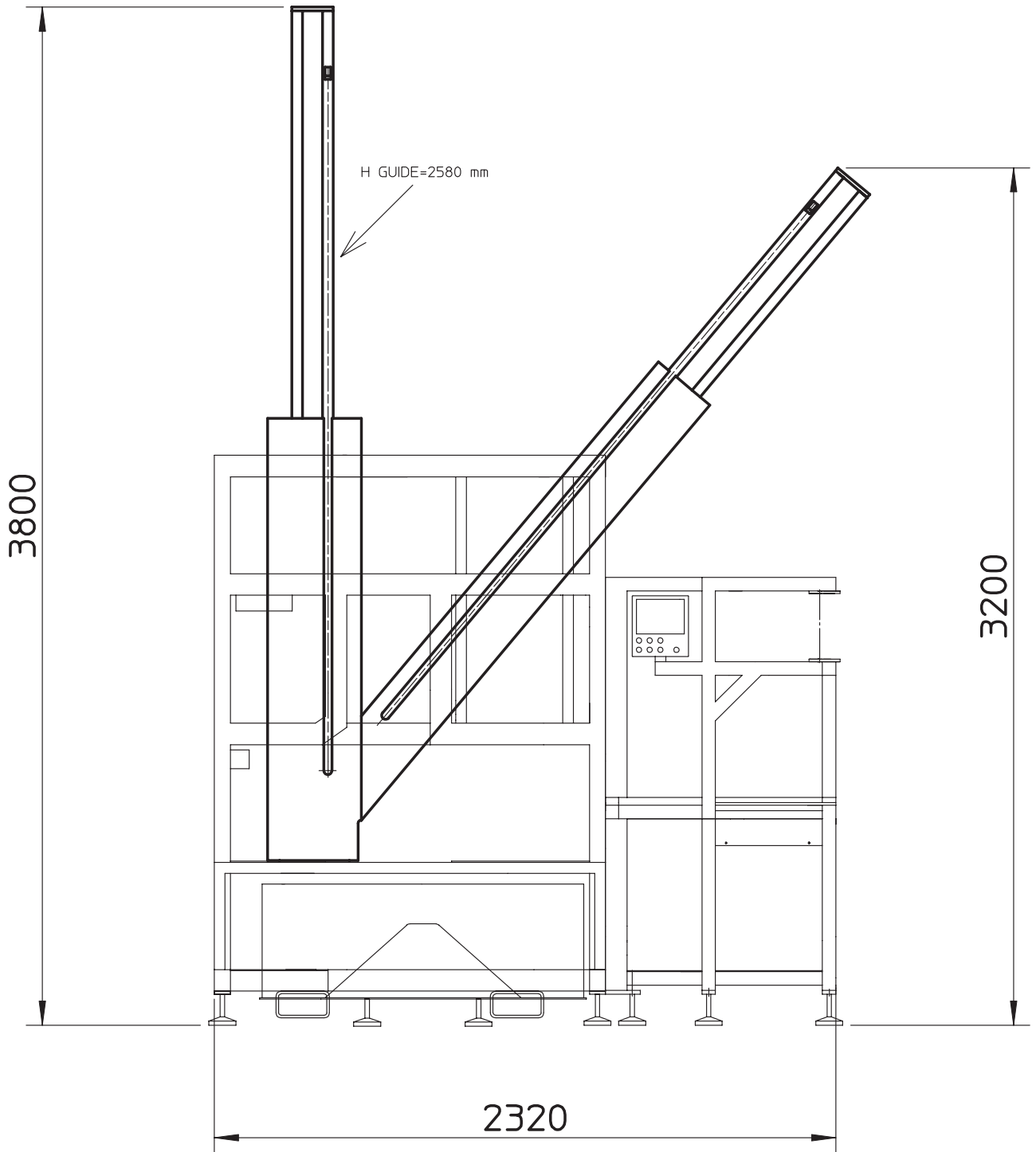
Machines to retrofit
Santoni Toe Closer
Solis Single Toe
Takatori TC 720
Detexomat HS

Applications: Underwear, Sportswear, Swimwear, Medical Textiles, Technical Textiles.

### AVVERTENZA:

I dati indicati sono solo a titolo informativo. Santoni S.p.A. si riserva di modificare una o più caratteristiche delle macchine senza preavviso o senza l'obbligo di fornire tali modifiche alle macchine già installate. Le immagini sono solo esemplificative e non costituiscono riferimento.

Santoni raccomanda aghi  
**GROZ-BECKERT®**





**SANTONI SPA**

Via Carlo Fenzi, 14 - 25135 Brescia - Italy  
Tel. +39 030 37671 Fax +39 030 3767400

P.IVA e CF: IT 00273280172

info.santoni@santoni.com - www.santoni.com