

AUTOMATIC SEWING SYSTEMS

AUTOMATIC SYSTEM FOR ELASTIC BAND AND
TOES SEAMING ON "ONE PIECE" PANTYHOSE

ONE PIECE

PATENT PENDING



SANTONI FLATLOCK



SANTONI FLATLOCK



FISH-MOUTH TOE



AUTOMATIC SEWING SYSTEMS

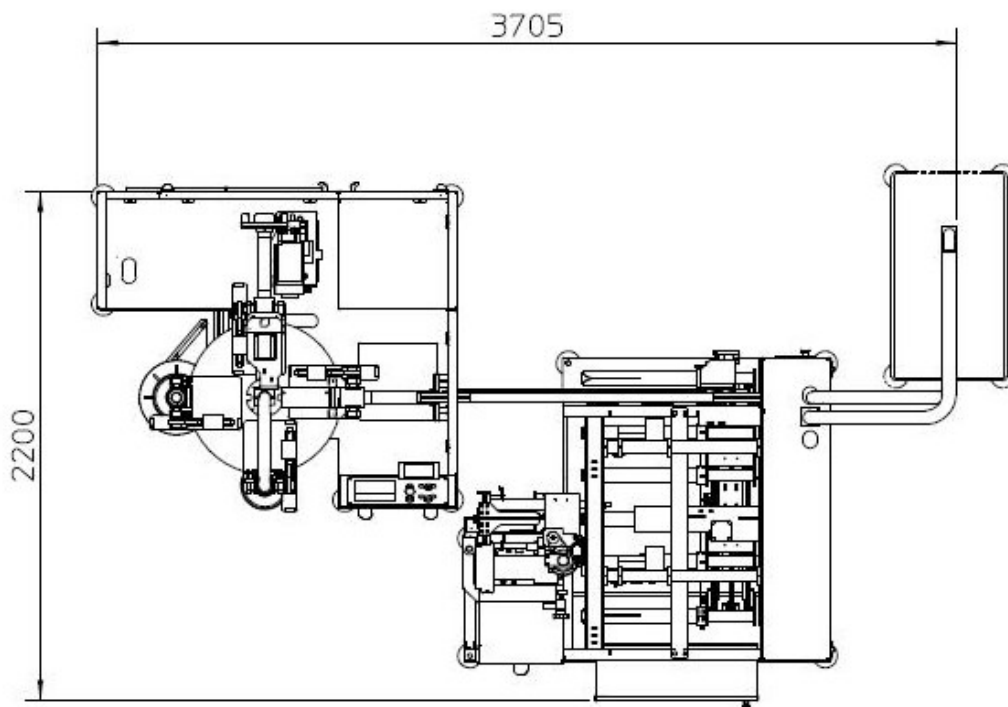
ONE PIECE

Automatic system for elastic band and toes seaming on "ONE PIECE" pantyhose.

AUTOMATIC SEWING SYSTEMS

ONEPIECE

| Features |
|--|
| Patented seaming system Santoni FlatLock |
| Working with "ready to use" elastic bands or from a roll with an optional system for cutting, sewing and automatic feeding |
| Option for automatic linking to a toe closer TC Smart for round toes "fish mouth" |
| Elastic band application also on pantyhose coming from warp knitting |
| Productivity on average 35 Dz/hr |



DISCLAIMER:

Technical data given in this brochure are for information only. Santoni S.p.A. reserves the right to modify the machine features without forewarning and without the obligation to apply any modification to the machines already installed. Pictures are exemplifying and have not to be regarded as a reference.

Santoni is recommending needles from
GROZ-BECKERT®



SANTONI SPA

Via Carlo Fenzi, 14 - 25135 Brescia - Italy
Tel. +39 030 37671 Fax +39 030 3767400

P.IVA e CF: IT 00273280172

info.santoni@santoni.com - www.santoni.com