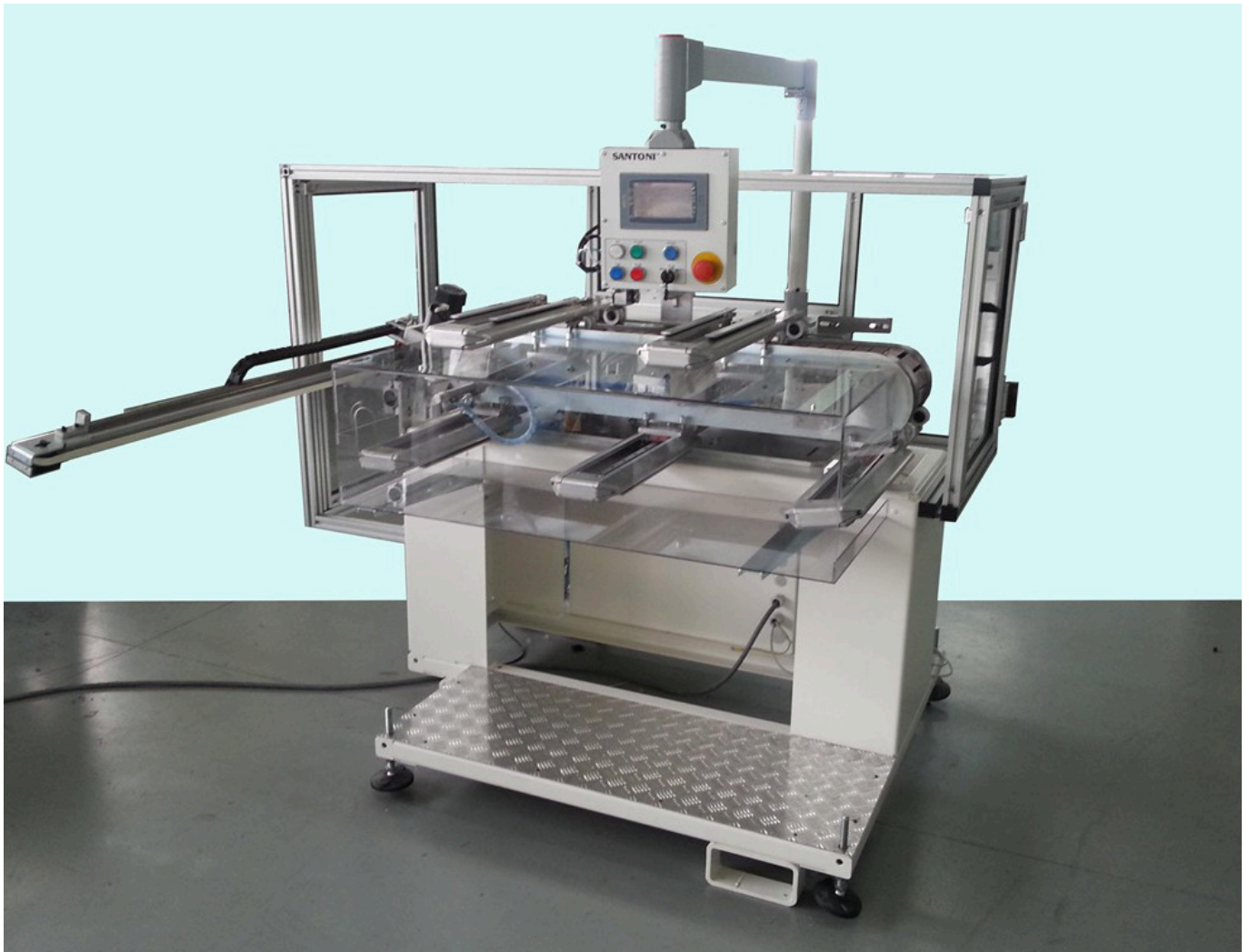


AUTOMATIC SEWING SYSTEMS

AUTOMATIC CUTTING DEVICE FOR HOSES
WITH LOADING SYSTEM ON TOE CLOSER

ROBOCUT



AUTOMATIC SEWING SYSTEMS

ROBOCUT

Automatic cutting device for hoses with loading system on toe closer.

This system can be connected to existing toe closers and it allows a very precise and quick loading and positioning on cutting forms. Device cuts the panty portion of the hose, preparing products for manual assembling and transferring them to the connected toe closer. This new method allows a single operator to perform both operations, dramatically reduces the production cost and defects caused by intensive manipulation and increases the productivity.

The stocking is held in place on the form by a mechanical system and cut away from the hands of the operator, so that she can operate with less effort and in total safety.

AUTOMATIC SEWING SYSTEMS

ROBOCUT

Specification	Value
Air pressure	6 bar
Air consumption	50 NI/min
Absorbed power	2 Kw
Minimum cycle time	35 Dz/hr (pair)
Max. Production	43 Dz/hr (pair)

Features
PLC for the electronic control of all main functions of the cutting cycle and products transfer
Electronic self-diagnosis with visualized errors or malfunctions
Touch-screen display for the machine setting with possibility to store different cutting and loading programs
Qty. 5 cutting forms
Cutting device by means of a motorized blade with electronic control

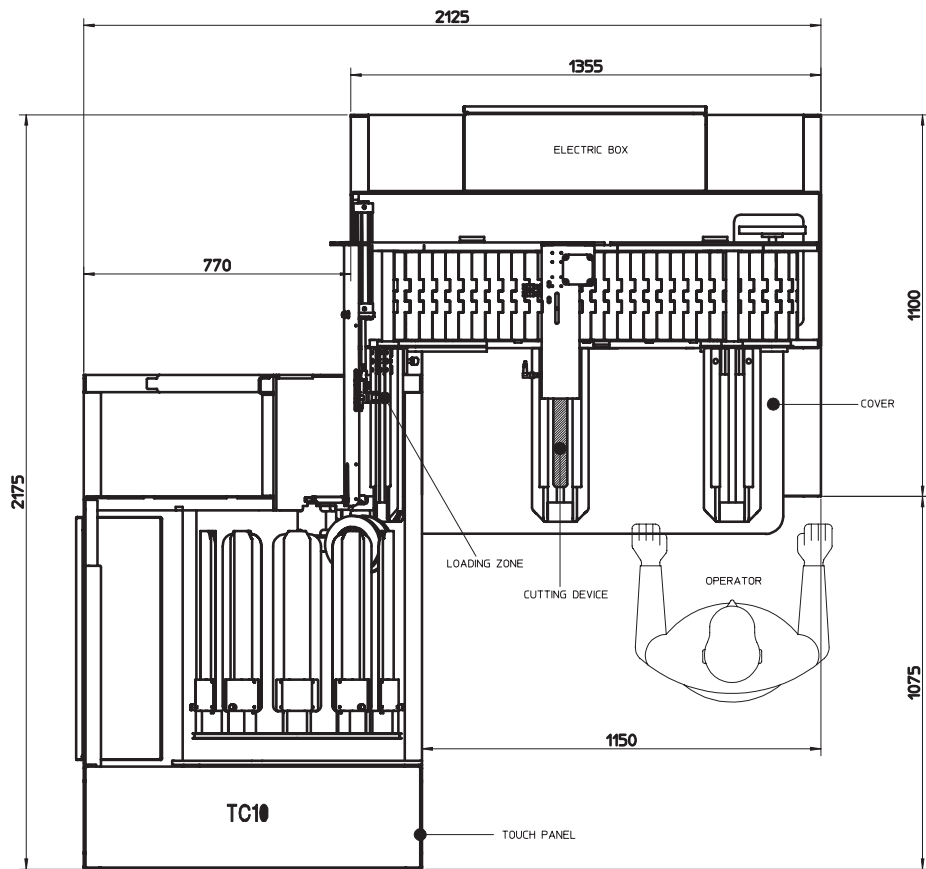
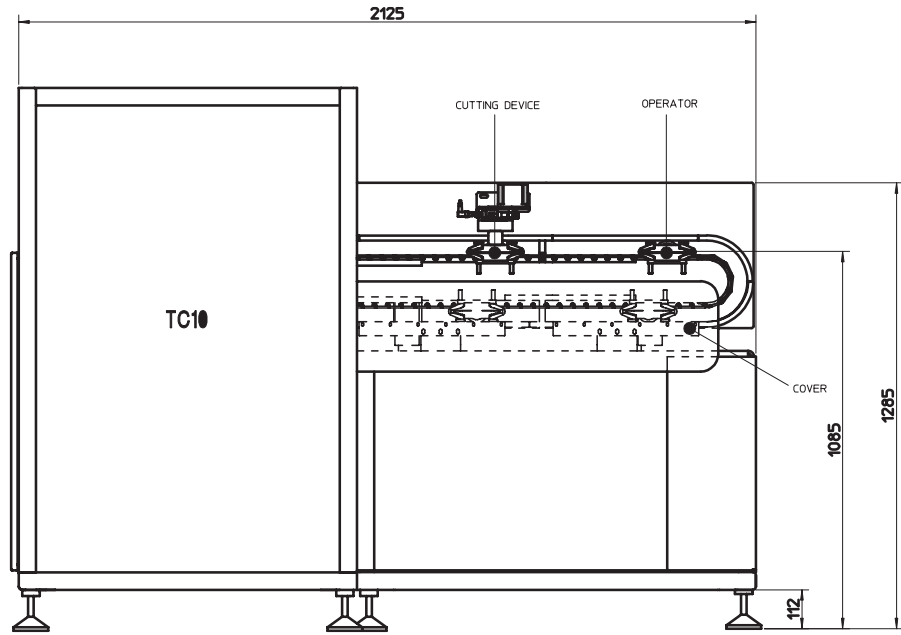
Optional
Laser device for optical reference
Stretching and laying down device for an optimal product unloading from the toe closer

Applications: Underwear, Sportswear, Swimwear, Medical Textiles, Technical Textiles.

DISCLAIMER:

Technical data given in this brochure are for information only. Santoni S.p.A. reserves the right to modify the machine features without forewarning and without the obligation to apply any modification to the machines already installed. Pictures are exemplifying and have not to be regarded as a reference.

Santoni is recommending needles from
GROZ-BECKERT®





SANTONI SPA

Via Carlo Fenzi, 14 - 25135 Brescia - Italy
Tel. +39 030 37671 Fax +39 030 3767400

P.IVA e CF: IT 00273280172

info.santoni@santoni.com - www.santoni.com